

PRORIL

60Hz

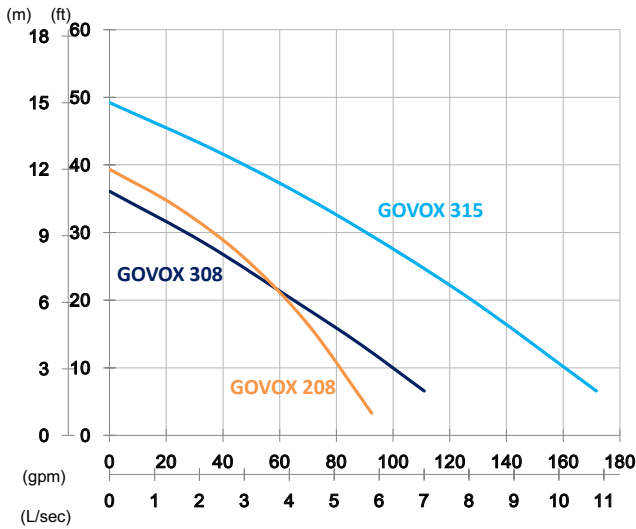
GOVOX Series, these vortex pumps feature a less impeller wear and longer pump life by a vortex flow that allows fibrous materials and solid matters to be pumped out without obstruction.

Sewage Pump

GOVOX 208/308/315

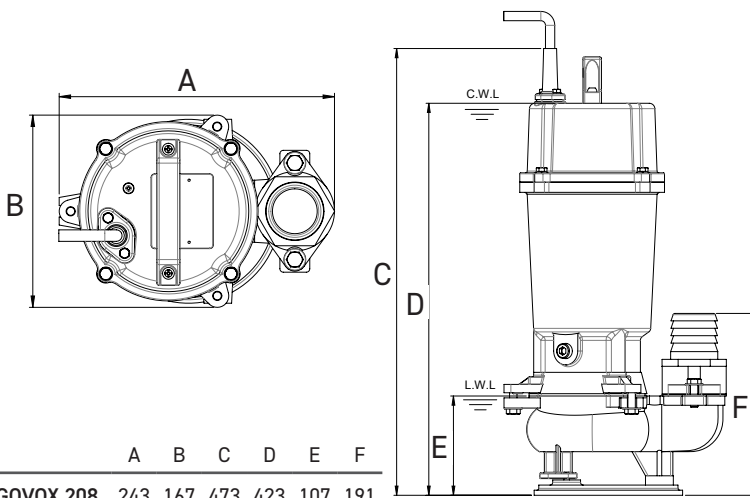
Vortex Pump





	GOVOX 208	GOVOX 308	GOVOX 315
OUTPUT	1 HP (0.75 kW)	1 HP (0.75 kW)	2 HP (1.5 kW)
OUTLET	2" (50 mm)	3" (80 mm)	3" (80 mm)
SOLID PASSAGE	1.5" (37mm)	1.5" (37mm)	2" (50 mm)
Weight	44 lbs/20 kg	44 lbs/20 kg	53 lbs/24 kg
HEAD	Rated: 26 ft, 8 m Max: 39 ft, 12 m	Rated: 20 ft, 6 m Max: 36 ft, 11 m	Rated: 33 ft, 10 m Max: 49 ft, 15 m
FLOW	Rated: 48 gpm, 3 L/s Max: 92 gpm, 5.8 L/s	Rated: 66 gpm, 4.2 L/s Max: 111 gpm, 7 L/s	Rated: 79 gpm, 5 L/s Max: 172 gpm, 10.8 L/s

Pump Type	Electric Submersible Pumps	
Motor	Phase	1-Phase, 3-Phase
	Type	Induction Motor
	Poles	2 Pole (3450 rpm)
	Insulation	Class F
	Protector	Circle Thermal Protector
	Starter	1-Phase · Capacitor-Run, 3-Phase · D.O.L.
Lubricant	Food Grade (ISO VG32)	
Specs.	Impeller Type	Vortex
	Shaft Seal	Double Mechanical Seal
		Silicon Carbide VS Ceramic/Carbon
	Bearings	C3 Shielded ball bearings
	Cable	CSA-Certified PVC Jacketed Cables 33 ft (10 m) or longer upon request
Materials	Pump Casing	Gray Iron
	Impeller	Gray Iron
	Motor Frame	Gray Iron
	Motor Shaft	Stainless Steel
Max. Liquid Temperature	40°C (104°F)	
Max. Submersion Depth	20 m (66 ft)	
pH Range	pH 5 - pH 8	
Guide Rail	GRL-02 (208)/GRL-03 (308)/GRL-03F (315)	



	A	B	C	D	E	F
GOVOX 208	243	167	473	423	107	191
GOVOX 308	257	167	473	423	107	246
GOVOX 315	302	250	501	451	146	271

unit : mm
C.W.L : Continuous running water level
L.W.L : Lowest running water level